

# PrimeSlitter *Station type slitter*



SLITTER. WINDER. KAMPF.

# PrimeSlitter CRRO | CHRO BlackLine

## The benchmark in primary slitting

### Universal applications for flexibility and output.

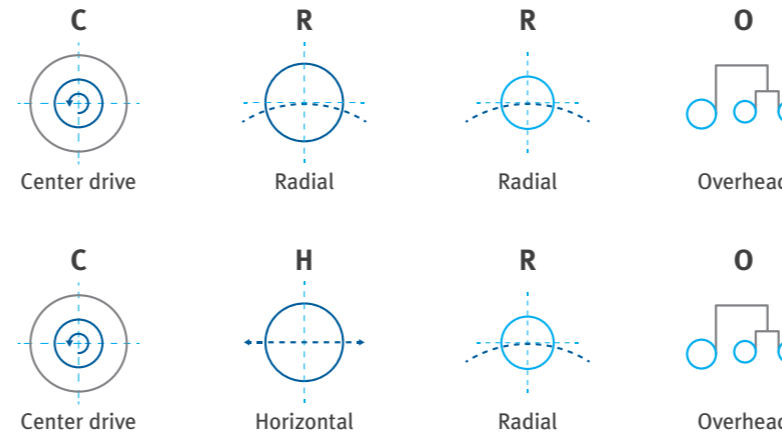
The market and your customer requirements are ever changing and the requirement is to increase your overall flexibility and efficiency? When you think about the conversion of films, you always need to think in terms of individual solutions. With the new trendsetting PrimeSlitter you are optimally positioned for your challenges.

### Maximum performance and modularity.

We combine strong core features to guarantee the required maximum performance with new, smart and exciting solutions. Following the optimum characteristics of the production line, the PrimeSlitter will be configured tailored to your film specifications to achieve the highest output with perfect quality. Use our extensive solution packages to realize your requirements in a profitable production.

- Reduce set-up times
- Ease your operation
- Increase quality
- Realize smart use of data

We certainly have the right solution for you.



### Uptime is the focus.

### The sum of solutions makes the difference.

Change settings – The clever way to save time and improve ergonomics with new embeddable solutions for:

- Chucking heads
- Contact roller
- Slitting tools
- Finished roll trays
- Set-up information



Technical Data	PrimeSlitter CRRO   CHRO BlackLine
Materials	BOPP   BOPET
Material thickness	10 – 125 µm
Material widths	8,700   10,600 mm
Parent roll diameters	1,600   1,800 mm
Finished roll diameters	1,200   1,500 mm
Finished roll weights	2   3   4   6   7 tons
Slitting systems	Razor blade cut   burst cut
Slitting widths	300 – 4,000 mm
Winding cores	3"   6"   8"   10"
Machine speed	1,200   1,500 m/min

Performance and processing range. A definite strength of your PrimeSlitter.

### Faster ramp up – more output

A new set of web control functions supports your production staff to achieve the required quality level faster along with sustainability.

### Heavy load – fast and safe

Save up to 30% valuable time when changing parent rolls and be less dependent on crane availability with the combined parent roll/core and splicing solution.



# 10,600 mm

max. material width

# 1,500 m/min

max. machine speed



## Look and Feel. Operator's ergonomic comfort in a new design.

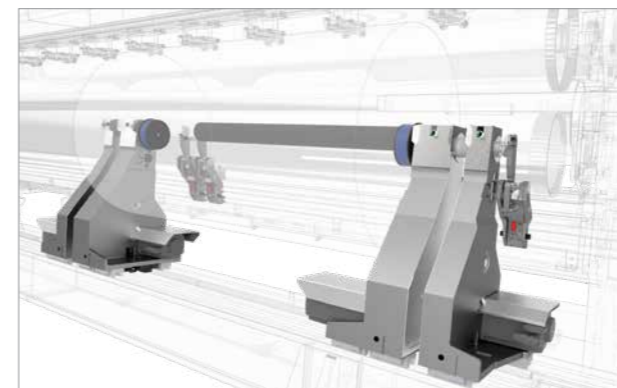
Simplified machine operation, optimum accessibility and integrated safety are combined by a completely new design and color concept.

A rethought overall operating concept considers a complete new Human Machine Interface including a new level of forward-looking information, newly designed workplaces, as well as future-oriented handling and digitization solutions.

The new PrimeSlitter provides state-of-the-art Siemens control systems combined with precise individual drive technology and advanced web control features. All integrated in a concept of proven mechanical engineering and without any hydraulic functions.

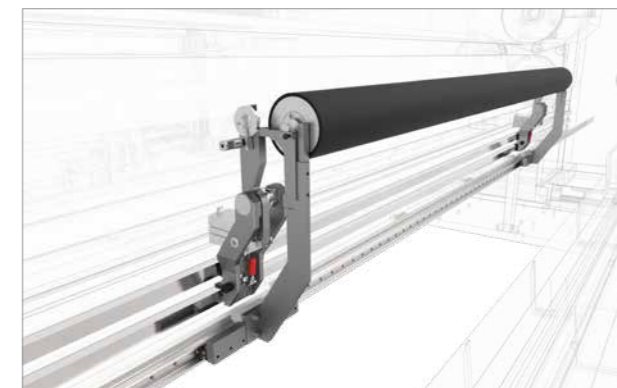
## A modular system.

Customized for your application.



### Anti Tin Canning System (patent pending)

The smart performance package to achieve higher production speeds for wide rolls. Speed increase up to 30%.



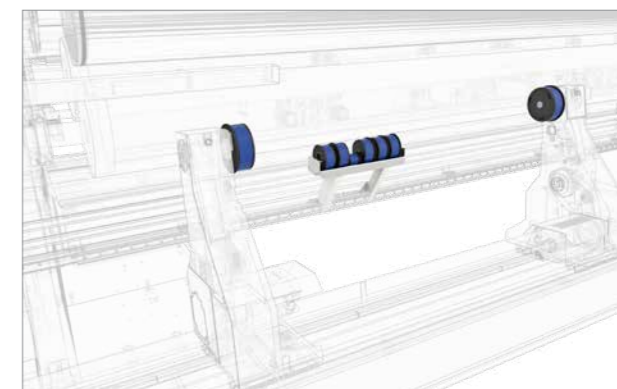
### Contact roller handling and position indication

Useful support for easier and safer workflows.



### Chucking head

The new quick clamping system for chucks enables tool-free replacement in a matter of seconds.



### Chucking head handling

Have your hands free for a quick and orderly process.



### Splicing table

New time-saving and operator-friendly splicing table saving up to 30% downtime.



### Automation

We offer high efficient automation solutions for optimum use of your PrimeSlitter.



# We are... more than slitting and winding.

Our employees develop advanced solutions for your needs.

## Key characteristics of production processes are:

- Productivity
- Quality
- Availability



KAMPF Lifecycle Services help you to ensure your long-term success.

## Ensuring availability and top quality.

- Providing responsiveness and reliability
- Enabling direct and competent communication
- Empowering your employees

KAMPF Lifecycle Services. Lifelong and worldwide.



“By using latest technologies, we can design maintenance processes smart and mobile, simplify workflows and thus contribute to increasing machine availability.”

Dennis Löhle  
Head of Documentation

## Increasing output and efficiency.

- Growing demand?
- Short delivery times?
- Cost pressure?

KAMPF automation solutions. One-stop added value.



## Connecting technologies along the value chain

- Being efficient!
- Staying efficient!
- Increasing efficiency!

KAMPF Industry 4.0 expertise and network

## Your partner worldwide

---



Germany - Corporate Head Office

**Kampf Schneid- und Wickeltechnik GmbH & Co. KG**

Muehlener Strasse 36-42 | 51674 Wiehl | fon +49 2262 81-0  
info@kampf.de | www.kampf.de

Germany - Used Machinery

**Maschinen Ritter-Wickeltechnik GmbH**

Alfred-Nobel-Strasse 2 | 51588 Nuembrecht | fon +49 2293 9080-0  
wickeltechnik@maschinenonline.com | www.maschinenonline.com

---



USA

**Kampf Machinery Corporation**

Kennedy Technology Center | 900 River Street, Unit H | Windsor, CT-06095 | fon +1 860 640 0040  
info@kampfusa.com | www.kampfusa.com

USA

**Kampf Machinery Corporation**

1655 Murfreesboro Pike, Suite D | Nashville, TN 37217 | fon +1 615 361 4140  
info@kampfusa.com | www.kampfusa.com

---



India

**Kampf Machinery India Pvt. Ltd.**

413, fourth floor, Atlantis Heights Sarabhai | Compound, Near Genda Circle | 390007 Vadodara, Gujarat  
fon +91 962 404 4922 | service@kampf-india.com

India

**Kampf Machinery India Pvt. Ltd.**

Office no. 1121, Tower no. A, Plot No. A-40, ITHUM Building | Sector-62 | 201309 Noida, Uttar Pradesh  
fon +91 96240 89896 | sales@kampf-india.com

---



China - Hong Kong

**Kampf (Hong Kong) Co. Ltd.**

Room 803, 8/F | Wanchai Commercial Centre | 194-204 Johnston Road, Wanchai | Hong Kong | fon +852 2882 1136  
kampfhk@kampf.com.hk

China - Shanghai

**Kampf Machinery (Shanghai) Co. Ltd.**

No. 1212, Lixue Rd | Malu Town, Jiading District | 201801 Shanghai | fon +86 21 5951 8029  
kampf@kampfshanghai.com

---